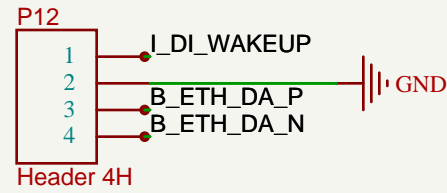
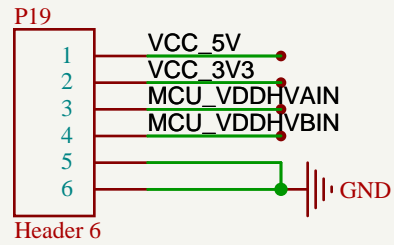
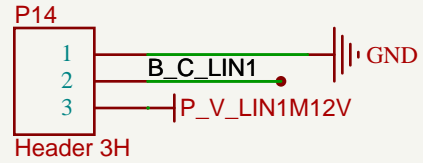
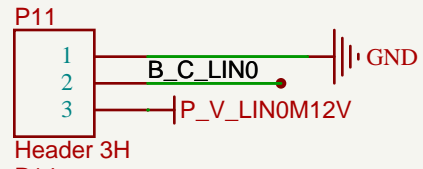
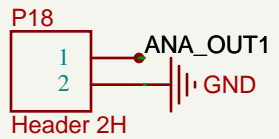
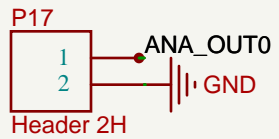
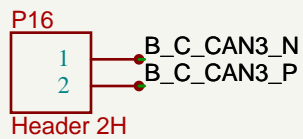
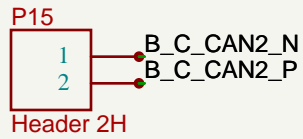
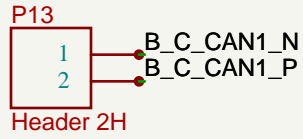
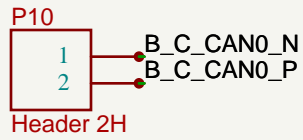
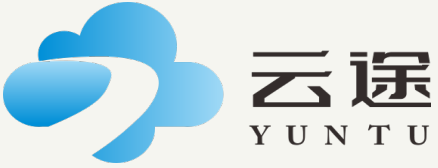
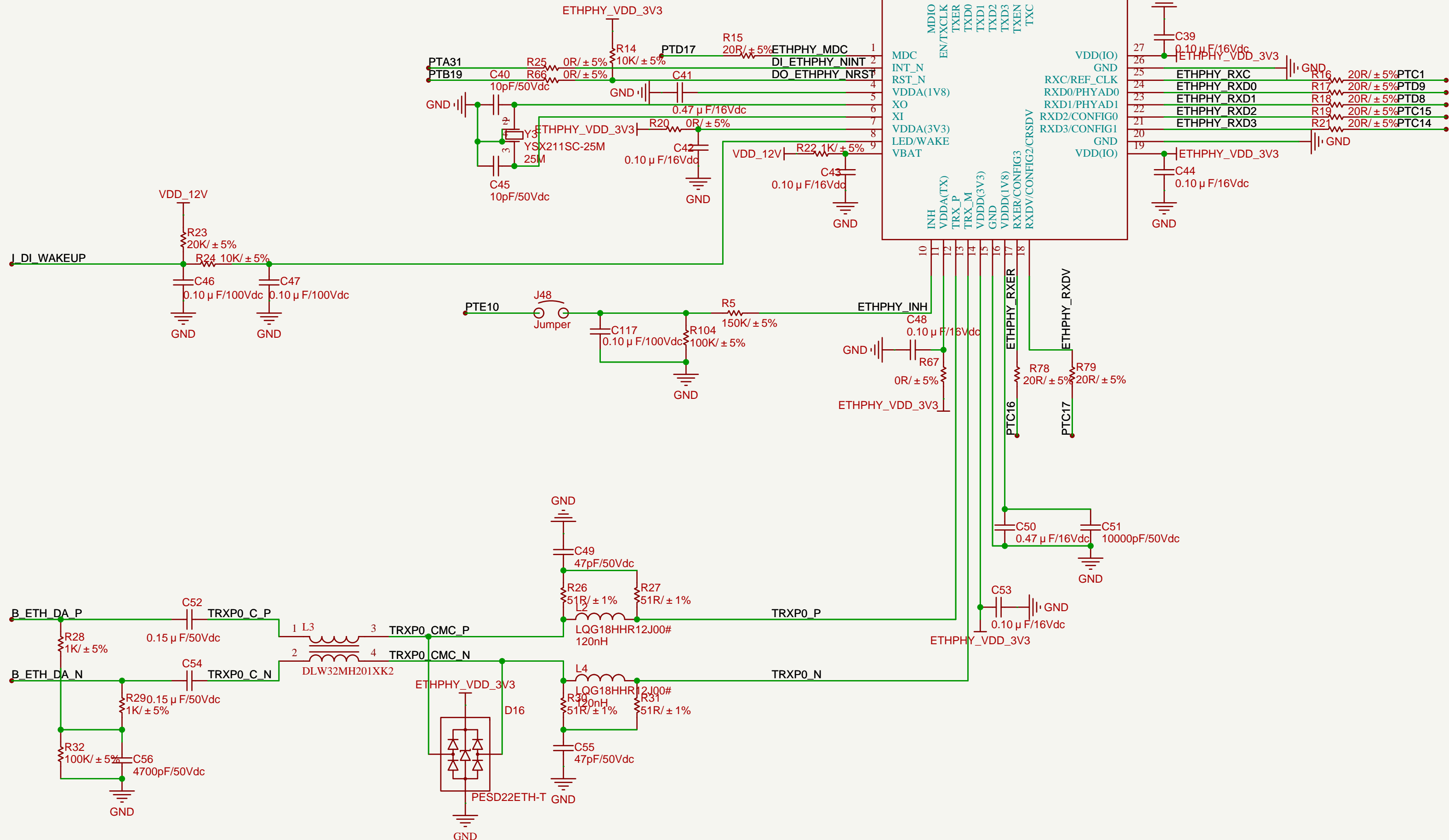
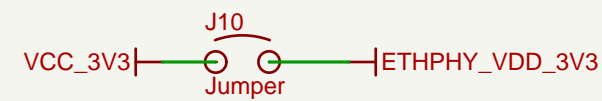
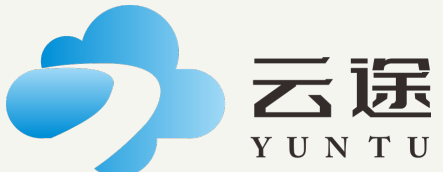


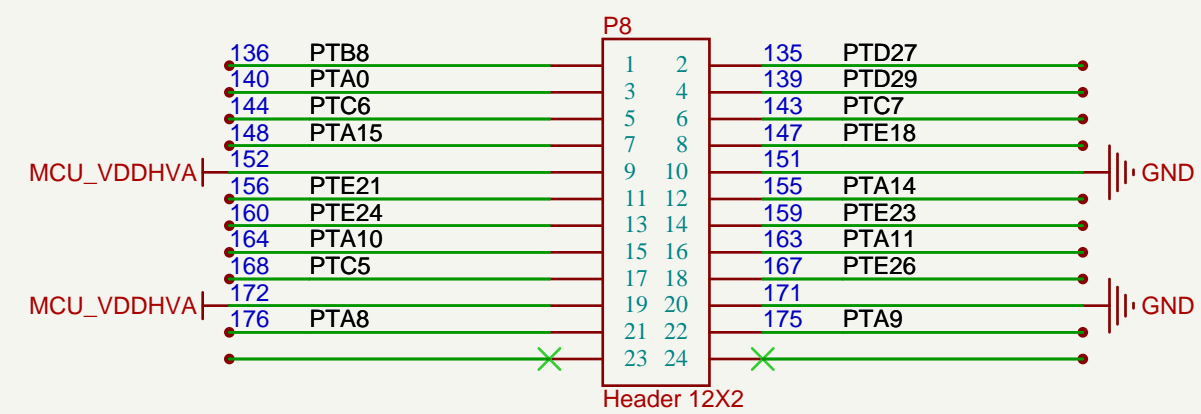
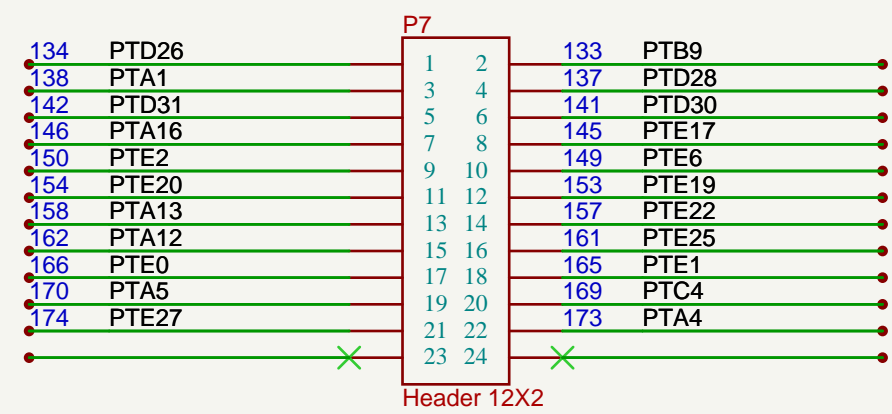
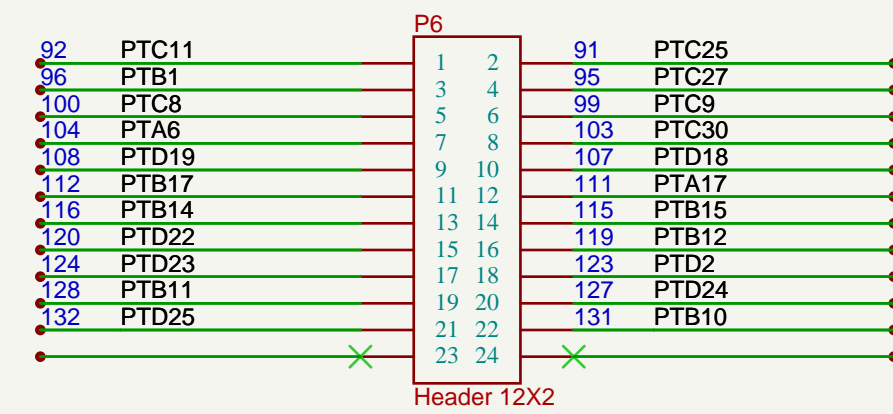
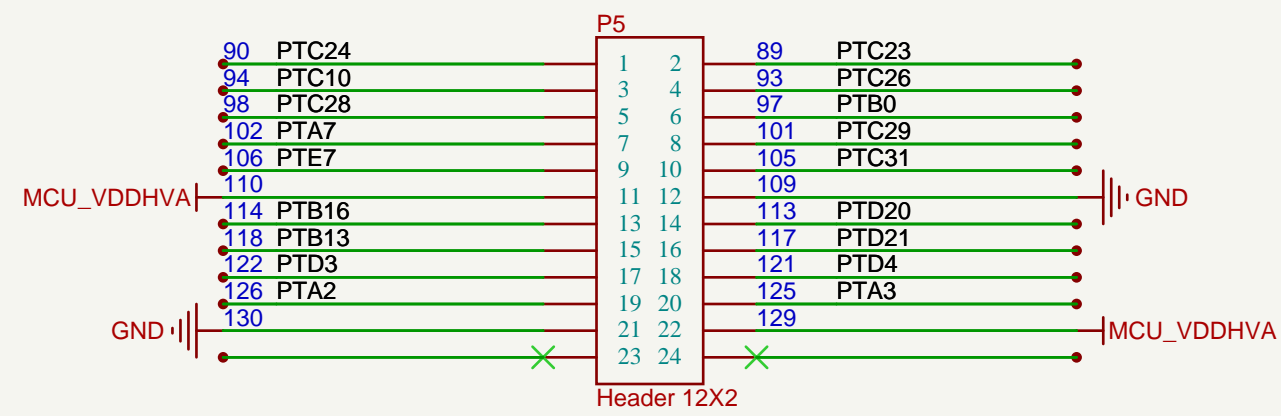
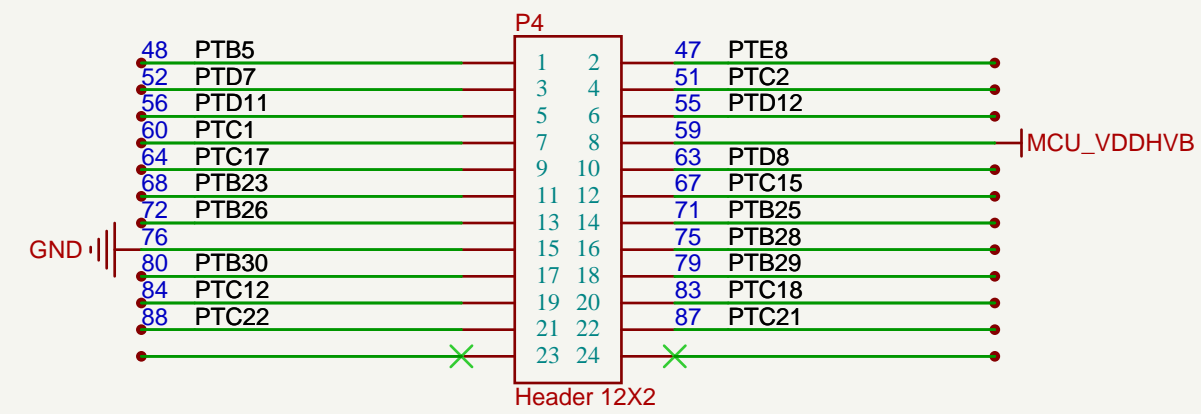
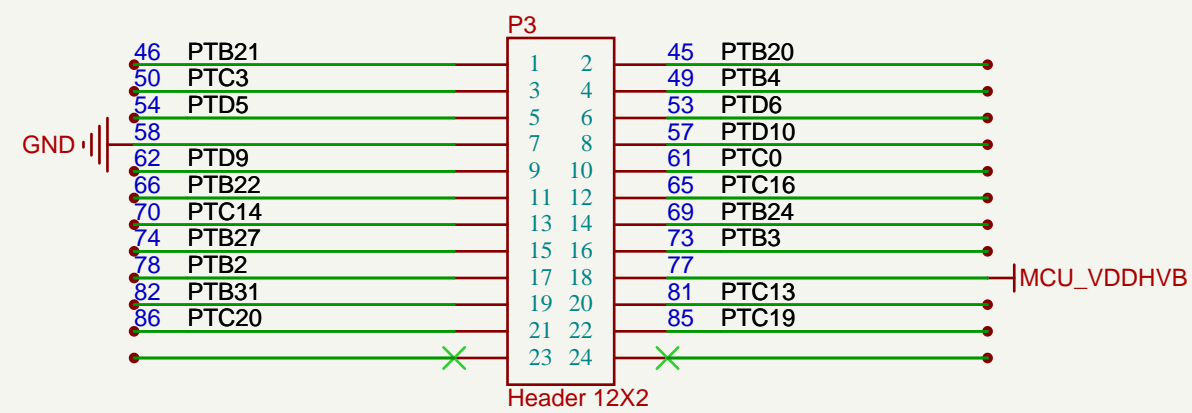
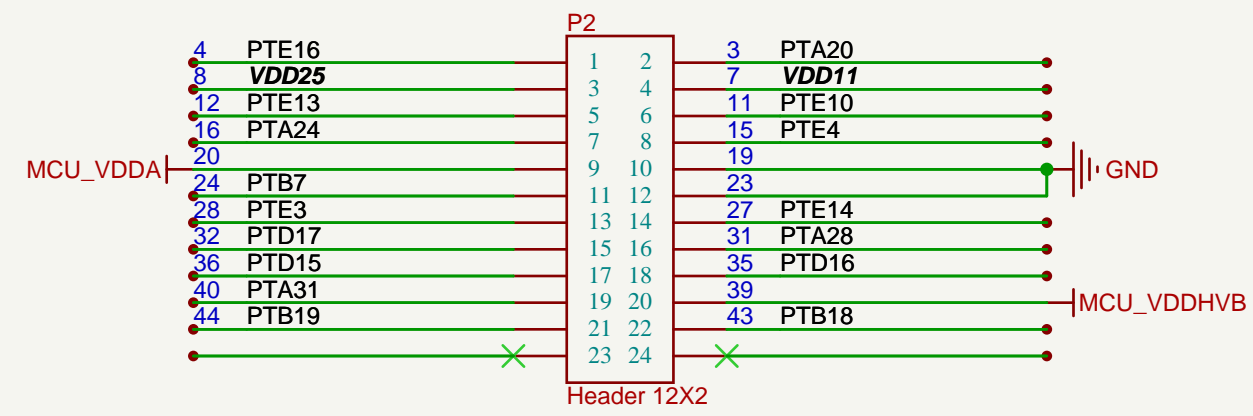
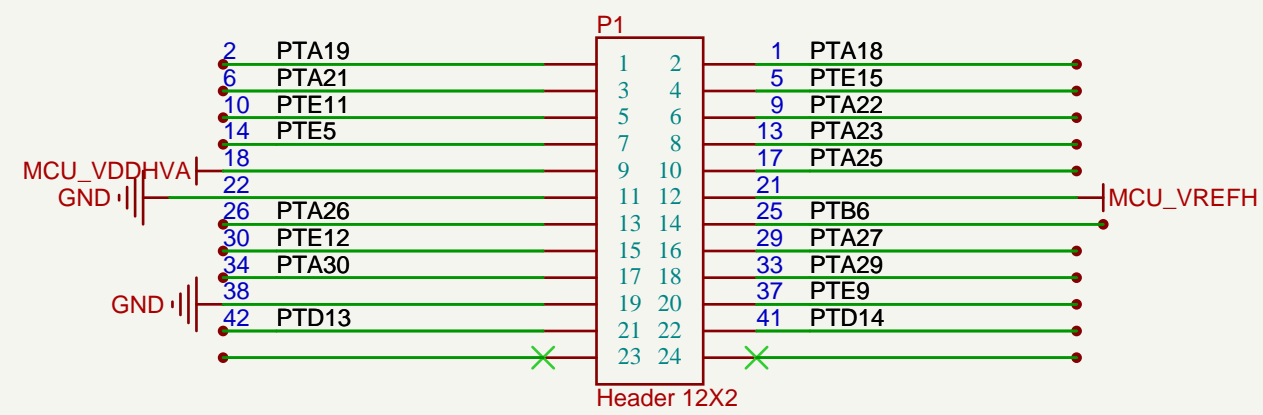
Schematic	YTM32B1HA0	Update Date	2024-04-01
		Create Date	2024-03-29
Page	CanLinIf	Part Number	
Drawn	Xingxing Zeng	YTM32B1HA01_EVB_Q176_RevB	
Reviewed	Major Lin		
		VER	SIZE
		Rev.B	A3
		PAGE	2 OF 8
		Yuntu Microelectronics Co., LTD.	

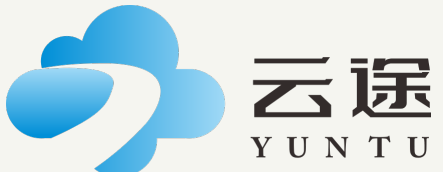


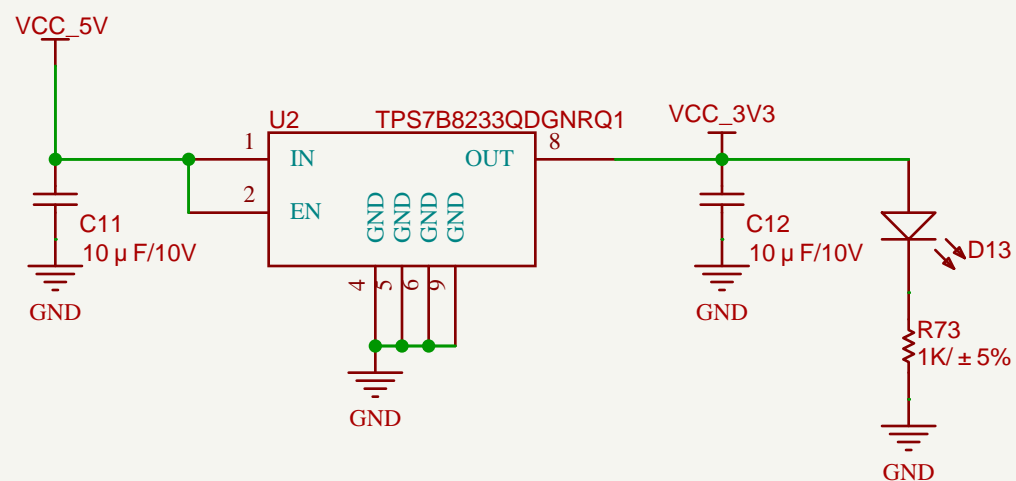
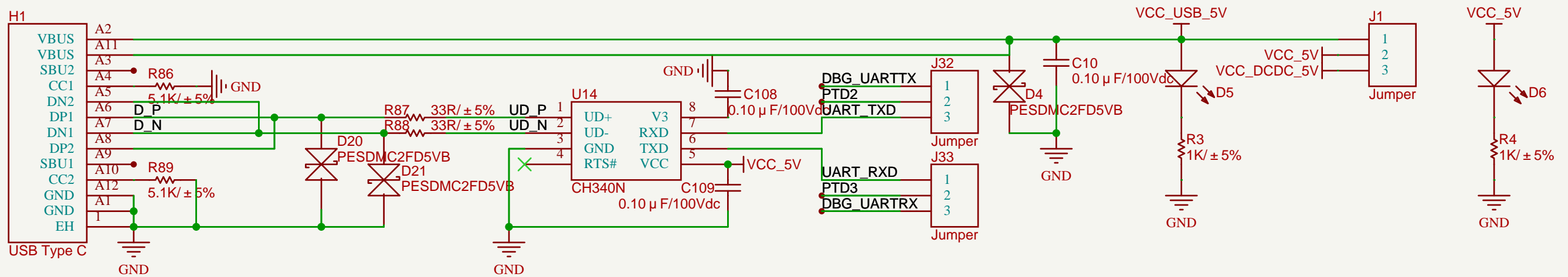
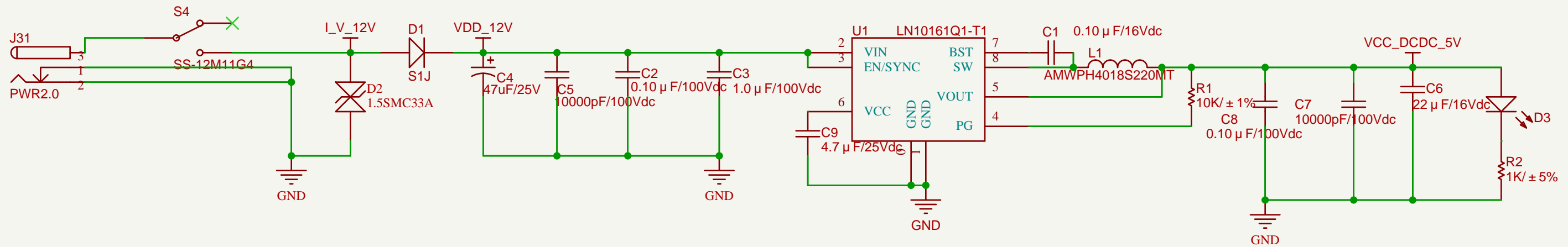
Schematic	YTM32B1HA0		Update Date	2024-04-01	
			Create Date	2024-03-29	
Page	Connectors		Part Number		
Drawn	Xingxing Zeng		YTM32B1HA01_EVB_Q176_RevB		
Reviewed	Major Lin				
			VER	SIZE	PAGE 3 OF 8
			Rev.B	A4	Yuntu Microelectronics Co., LTD.



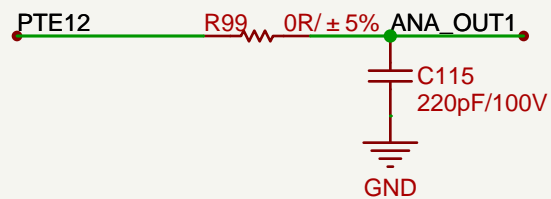
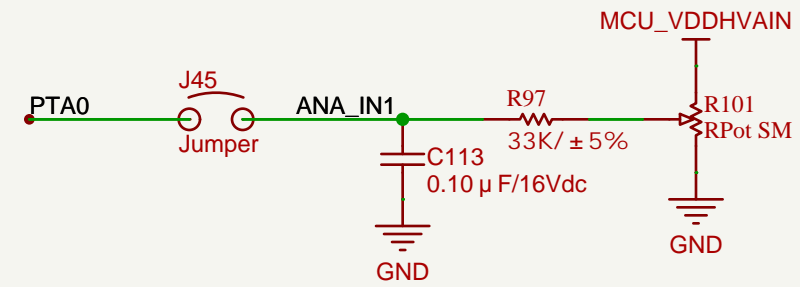
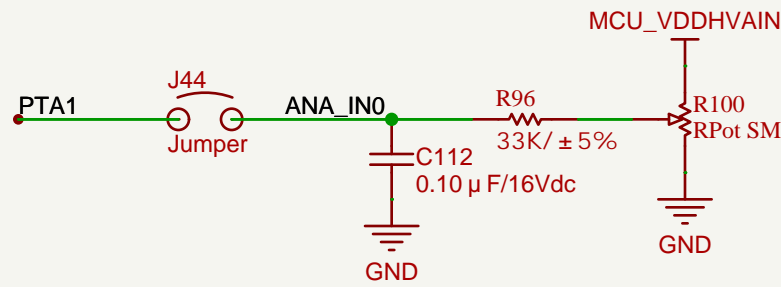
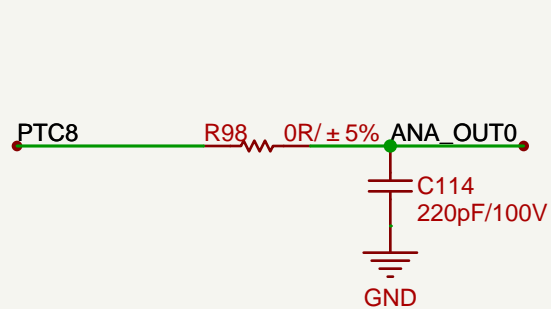
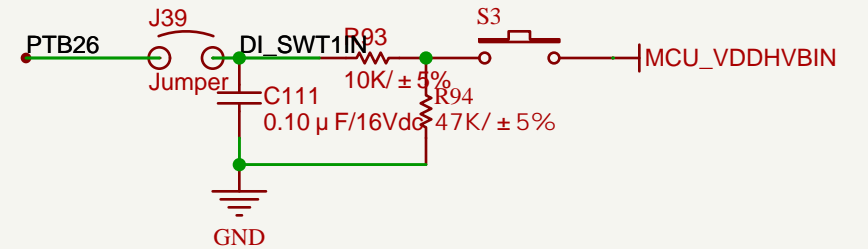
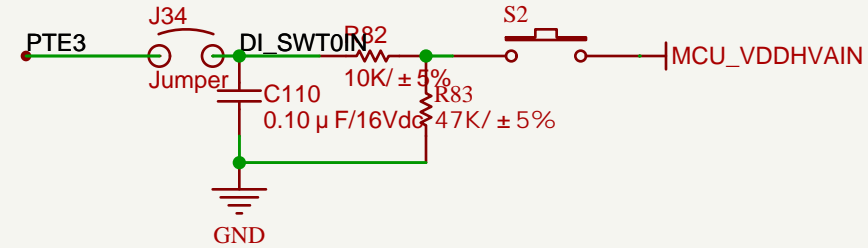
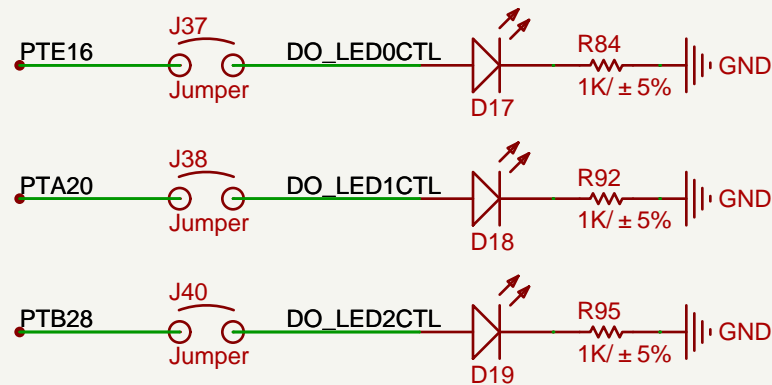
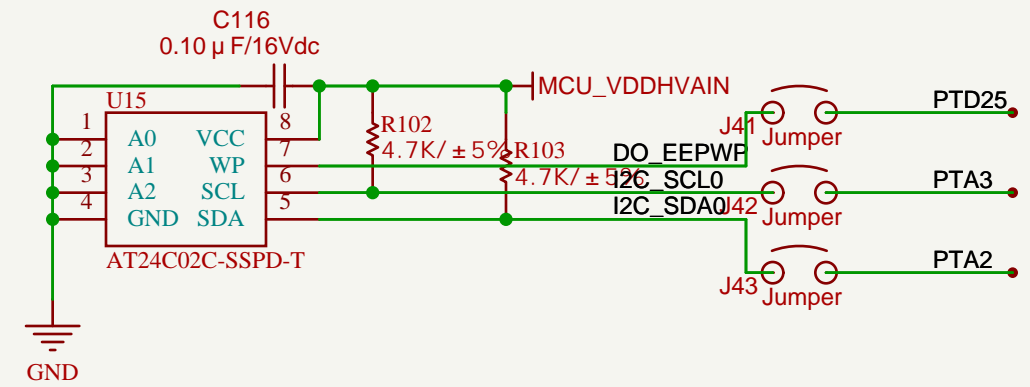
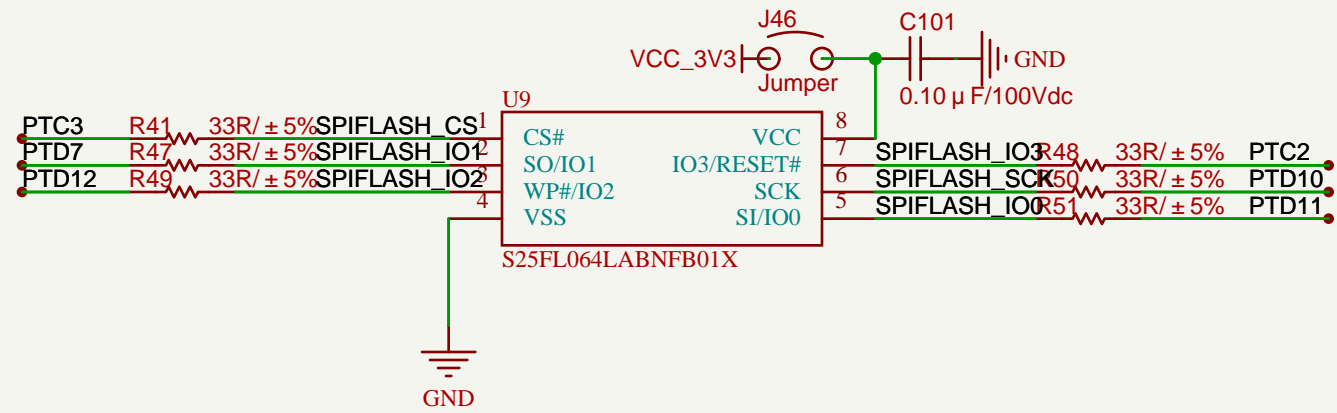
Schematic	YTM32B1HA0		Update Date	2024-04-01
			Create Date	2024-03-29
Page	EthernetIf		Part Number	
Drawn	Xingxing Zeng		YTM32B1HA01_EVB_Q176_RevB	
Reviewed	Major Lin			
			VER	SIZE
			Rev.B	A3
			PAGE	4 OF 8
			Yuntu Microelectronics Co., LTD.	

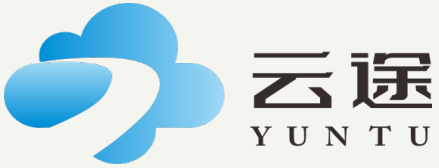


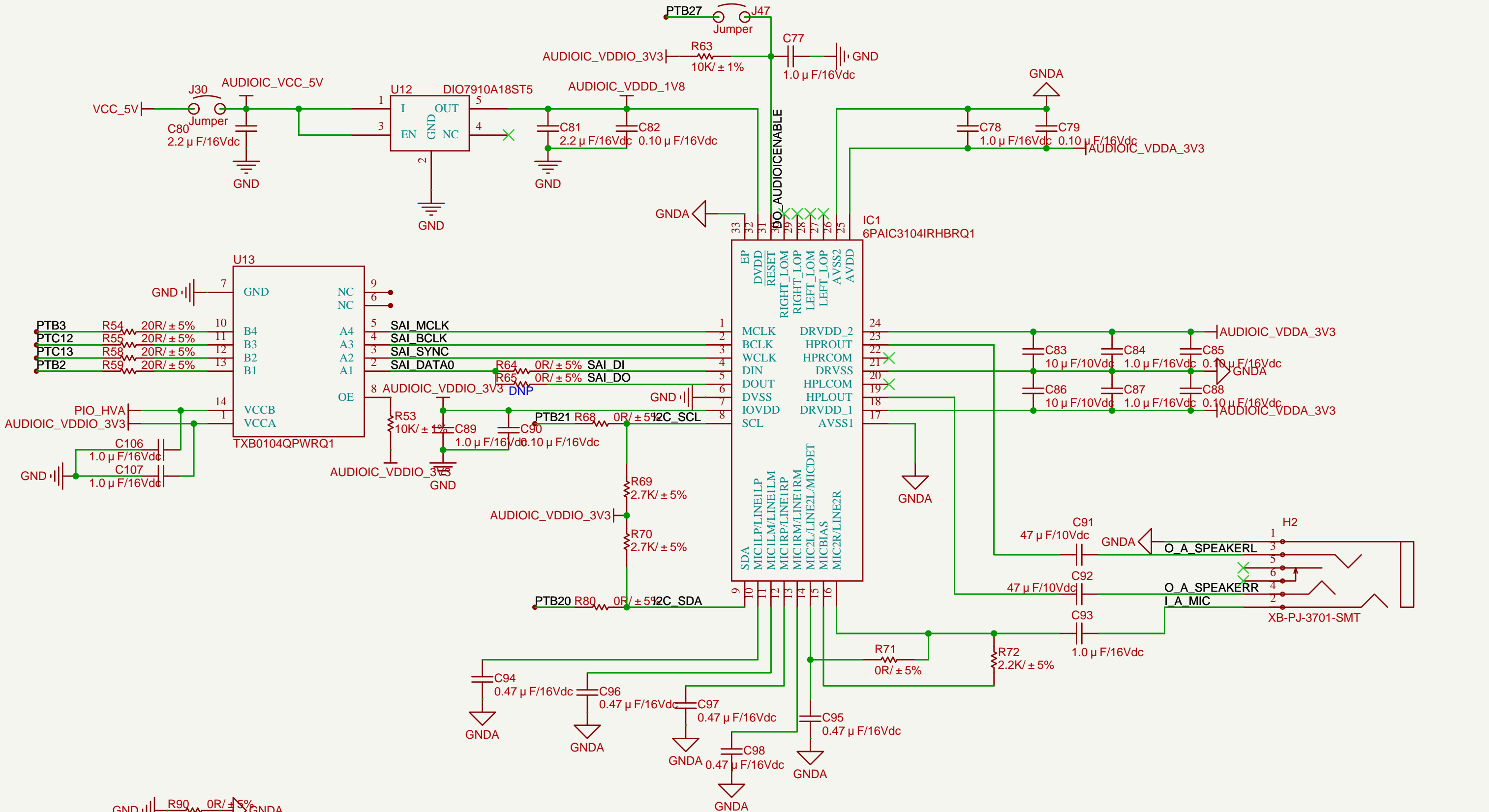
Schematic	YTM32B1HA0	Update Date	2024-04-01
		Create Date	2024-03-29
Page	McuPinDirectOut	Part Number	
Drawn	Xingxing Zeng	YTM32B1HA01_EVB_Q176_RevB	
Reviewed	Major Lin		
		VER	SIZE
		Rev.B	A3
		PAGE	5 OF 8
		Yuntu Microelectronics Co., LTD.	

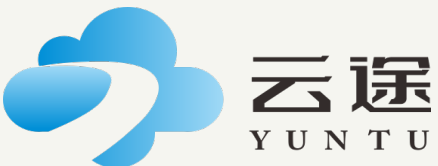


Schematic	YTM32B1HA0			Update Date	2024-04-01
Page	PowerSupply			Create Date	2024-03-29
Drawn	Xingxing Zeng	YTM32B1HA01_EVB_Q176_RevB			
Reviewed	Major Lin				
		VER	SIZE	PAGE	6 OF 8
		Rev.B	A4	Yuntu Microelectronics Co., LTD.	



Schematic	YTM32B1HA0		Update Date	2024-04-01
Page	Qspilf_Dio_Ana		Create Date	2024-03-29
Drawn	Xingxing Zeng	YTM32B1HA01_EVB_Q176_RevB		
Reviewed	Major Lin			
		VER	SIZE	PAGE 7 OF 8
		Rev.B	A4	Yuntu Microelectronics Co., LTD.



Schematic	YTM32B1HA0		Update Date	2024-04-01
Page	Sailf		Create Date	2024-03-29
Drawn	Xingxing Zeng	YTM32B1HA01_EVB_Q176_RevB		
Reviewed	Major Lin			
		VER	SIZE	PAGE 8 OF 8
		Rev.B	A4	Yuntu Microelectronics Co., LTD.